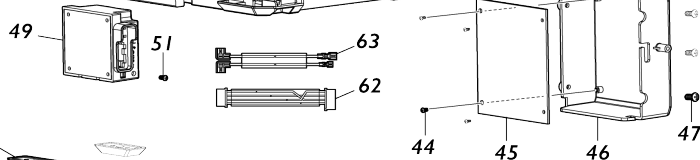
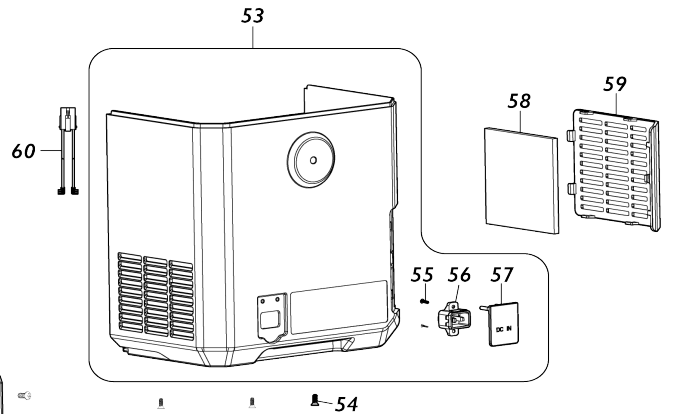
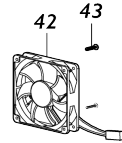
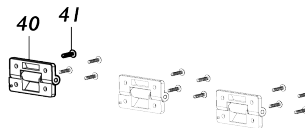
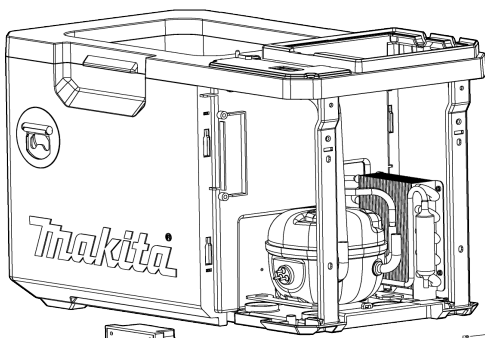
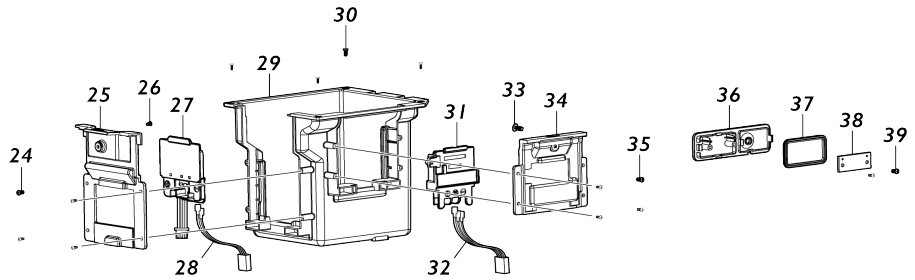
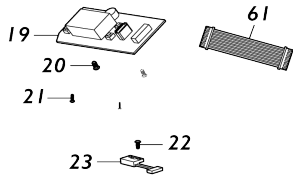
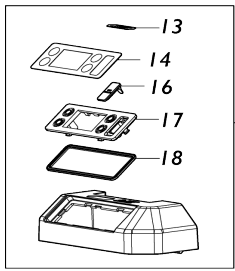
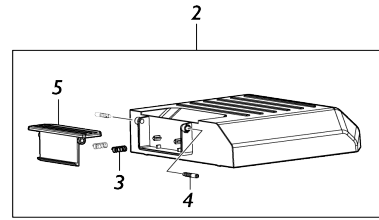
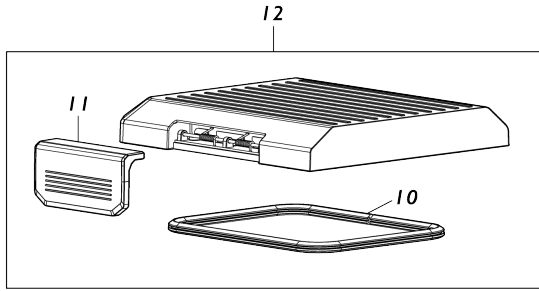
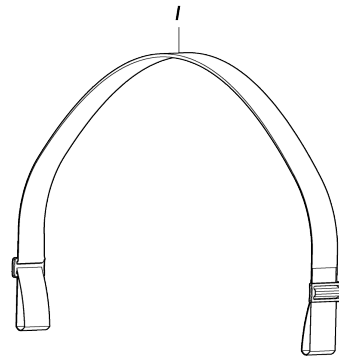
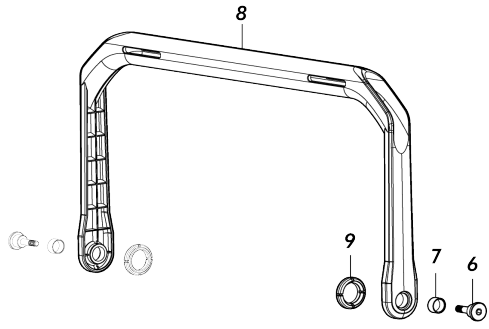


Model No.CW003G CORDLESS COOLER & WARMER BOX



Model No.CW003G CORDLESS COOLER & WARMER BOX

Item No.	Parts No.	Description	Interchangability	Q'ty	New/Old	Note1	Note2
001	A-71093	SHOULDER BELT		1			
002	WL00000176	BATTERY COVER ASSY		1			
D10		INC. 3,4,5					
003	WL00000010	COMPRESSION SPRING 5MM		2			
004	WL00000090	SHAFT		2			
005	WL00000177	HANDLE A		1			
006	WL00000178	HEX. SOCKET HEAD SCREW		2			
007	WL00000179	SLEEVE		2			
008	WL00000180	CARRY HANDLE		1			
009	WL00000181	SILICONE RING		2			
010	WL00000182	SEALING		1			
011	WL00000183	HANDLE B		1			
012	WL00000184	TOP COVER ASSY		1	*		
D10		INC. 10,11					
012-1	WL00000332	TOP COVER ASSY (OVER SEA)	<	1			
C10	WL00000315	CAUTION LABEL		1			
D10		INC. 10,11					
013	WL00000185	XGT LABEL		1			
014	WL00000187	CONTROL FILM		1			
015	WL00000188	PANEL ASSEMBLY		1	*		
D10		INC. 13,14,16,17,18					
015-1	WL00000333	PANEL ASSEMBLY (OVER SEA)	<	1			
D10		INC. 13,14,16,17,18					
016	WL00000189	USB COVER		1			
017	WL00000190	SWITCH PLATE		1			
018	WL00000191	SEALING		1			
019	WL00000193	CONTROL PCB		1	*		
019-1	WL00000298	BUTTON PCB	O	1			
020	WL00000015	TAPPING SCREW 3X10		2			
021	WL00000015	TAPPING SCREW 3X10		2			
022	WL00000015	TAPPING SCREW 3X10		1			
023	WL00000194	MAGNETIC SWITCH WITH CABLE		1			
024	WL00000015	TAPPING SCREW 3X10		4			
025	WL00000195	BATTERY TERMINAL COVER		1			
026	WL00000098	SCREWS ST3X8		1			
027	WL00000196	BATTERY TERMINAL		1			
028	WL00000197	LEAD UNIT A		1			
029	WL00000198	BATTERY BOX		1			
030	WL00000098	SCREWS ST3X8		4			
031	WL00000099	BATTERY TERMINAL		1			
032	WL00000199	LEAD UNIT B		1			
033	WL00000098	SCREWS ST3X8		1			
034	WL00000200	BATTERY TERMINAL COVER		1			
035	WL00000015	TAPPING SCREW 3X10		4			
036	WL00000018	THERMOSTAT TOP COVER		1			
037	WL00000019	SEALING C		1			
038	WL00000192	LIGHT BOARD ASSY		1			

039	WL00000015	TAPPING SCREW 3X10		2		
040	WL00000022	HINGE		3		
041	WL00000023	TAPPING SCREW 4X16		12		
042	WL00000103	FAN A WITH CABLE		1	*	
042-1	WL00000103	FAN A WITH CABLE	O	1		
043	WL00000104	SCREWS M4X30		4		
044	WL00000015	TAPPING SCREW 3X10		4		
045	WL00000201	POWER PCB		1		
046	WL00000202	PCB BOX		1		
047	WL00000044	TAPPING SCREW 4X12		3		
048	WL00000052	COUNTERSUNK TAPPING SCREW 4X18		4		
049	WL00000203	COMPRESS POWER PCB		1		
050	WL00000204	FOOT PAD		4		
051	WL00000205	PAN HEAD SCREWS M4X10		1		
052	WL00000206	FOOT		4		
053	WL00000212	REAR COVER ASSY(BLUE)		1		
D10		INC. 55,56,57				
054	WL00000052	COUNTERSUNK TAPPING SCREW 4X18		3		
055	WL00000015	TAPPING SCREW 3X10		2		
056	WL00000208	DC IN SOCKET		1		
057	WL00000209	DC IN COVER		1		
058	WL00000210	FILTER SPONGE		1		
059	WL00000213	DUST PROOF COVER (BLUE)		1		
060	WL00000172	POWER CONNECTION WIRE		1	*	
060-1	WL00000331	POWER CONNECTION WIRE(OVERSEA)	<	1		
061	WL00000173	CONTROLLING PCB WIRE		1		
062	WL00000174	COMPRESSOR PCB WIRE		1		
063	WL00000175	COMPRESSOR INPUT WIRE		1		
A02	WL00000002	CIGAR LIGHTER DC 12-24V		1		
C10	WL00000056	FUSE		1		
F01	WL00000058	AC ADAPTOR ASSY C		1		
C10	WL00000063	AC POWER CORD		1		

Please state Parts No. when your order.

Print Date 10/24/2023